



Unimag+ PE

The allocation choice

Unimag+ PE is an innovative Single Jet water meter especially designed for use in apartments. With its modular register, it can be transformed anytime into a communicating device and integrated into the Itron data collection solution.

FEATURES AND BENEFITS

- » Pre-equipped for communication:
 - Sub-Metering radio mobile and fixed network
 - Wired pulse and M-bus output
- » Suitable for all installations and use:
 - Compact, short length
 - Cold and hot water
- » Accuracy performance:
 - Stable and long term accuracy
 - Reduced risk of meter blocked
 - Low starting flow
- » Robustness to tampering:
 - Enhanced magnetic and mechanical protection

The Technology

Unimag+ PE is a velocity meter with turbine Single-Jet principle combined with the well-known Itron extra-dry register technology. No register parts are in contact with the water flow.

Metrological Performance

The meter exceeds the MID accuracy Ratio 100 in horizontal position, and keeps R63 in vertical position.

Excellent accuracy at low flow rate, with a low starting flow value to detect little leakages.

New features

- » The hydraulic with double pivoting principle has been conceived to increase the resistance against particles deposit and assure more constant accuracy over time. With more error curve stability, Unimag+ PE is able to count flow rate below 8 l/h, thanks to frictionless materials used for bearings and contacts.
- » The body is available in brass material. The Itron severe internal and field validation protocols assure equivalent robustness to high network pressure (PN16 bar), water hammers, external environmental conditions and high water temperatures.
- » The meter is protected by magnetic tampering interferences through a design which has been validated against most known magnets. Additional magnetic shielding is available as option.

Easy reading

- » Clear and high contrast serial number
- » 360° possible rotation of the register for comfortable reading in any position
- » 8 numbered rollers with high contrast for easy and error-free reading up to 99999,999 m³

Compliance with Standards

- » Metrology, approved according to:
 - MID - 2014/32/EU
 - ISO 4064
 - EN 14154
- » Materials
 - Unimag+ PE use certified materials specific for contact with potable water (ACS-FRA, KTW-DE)
 - All meter materials are compliant with RoHS normative.
- » 100 percent manufactured in the EEC
 - ISO 9001
 - ISO 14001
 - MID H1

PRODUCT CHARACTERISTICS

Unimag+ PE is composed of two main sections: the hydraulic part that allows water flow measurement and the register that totalizes and displays the measured water volume.

The transmission between the two parts is achieved by magnetic coupling, without any mechanical connection between wet and dry parts.

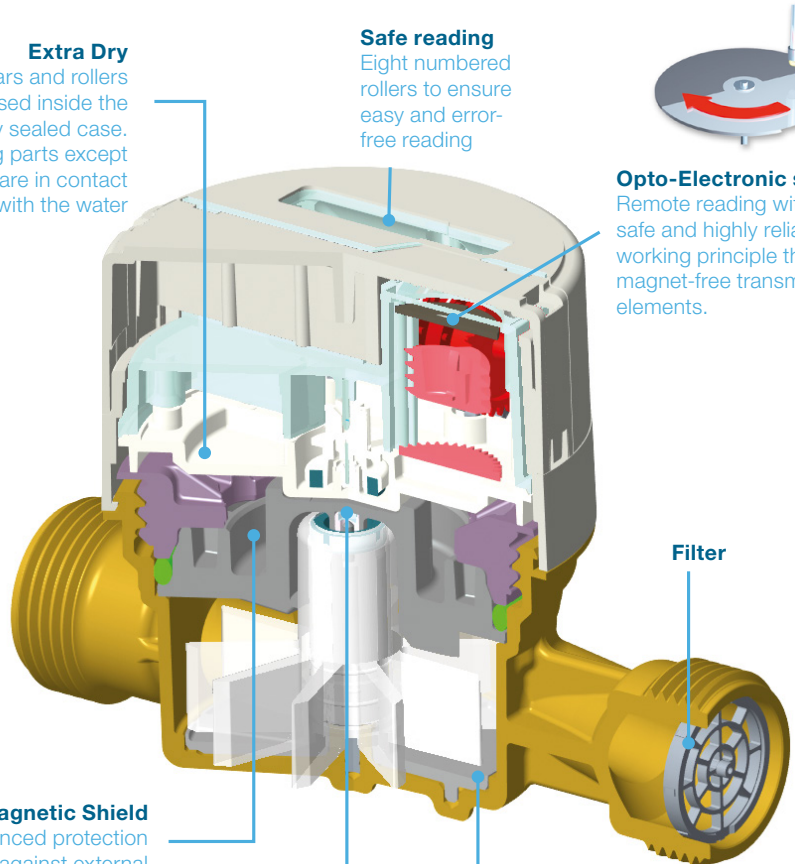
Extra Dry
All gears and rollers are enclosed inside the hermetically sealed case. No moving parts except the turbine are in contact with the water

Safe reading
Eight numbered rollers to ensure easy and error-free reading

Opto-Electronic system
Remote reading with safe and highly reliable working principle thanks to magnet-free transmission elements.



Brass Case
- Compliant with DIN normative for low lead brass (DIN 50930-6:2013-10).
- Material traceability.



Magnetic Shield
Enhanced protection against external magnetic fields

Enhanced Hydraulics
- Double pivoting increases resistance to sand and particles
- Turbine rotation more balanced
- No individual curve adjustment

Filter

Meter Case
Brass material

COMMUNICATING DEVICE

Detection Working Principle

It is based on the reflecting capacity of the pointer disk assembled on top of one register wheel.

Once the module is assembled and configured, the count of the meter is transferred over the disk to the electronics and conveyed by cable, by M-Bus or by EquaScan wMIU^{RF}.

- » Most modern, neither magnets nor reed-switch
- » Safe results through electronic transmission without data manipulation
- » Detection of flow direction with compensation of counting backwards
- » IP65 protection also suitable for installation under wet conditions
- » Basic register without extra investments at the beginning can be easily equipped in field for further remote reading application.

Advantages

Clear advantages derive from Opto-Electronic technology:

Dummy Module for pre-equipment



To be easily replaced with the effective Pulse Module, M-Bus Module or EquaScan wMIU^{RF}.

EQUASCAN SYSTEM ARCHITECTURE

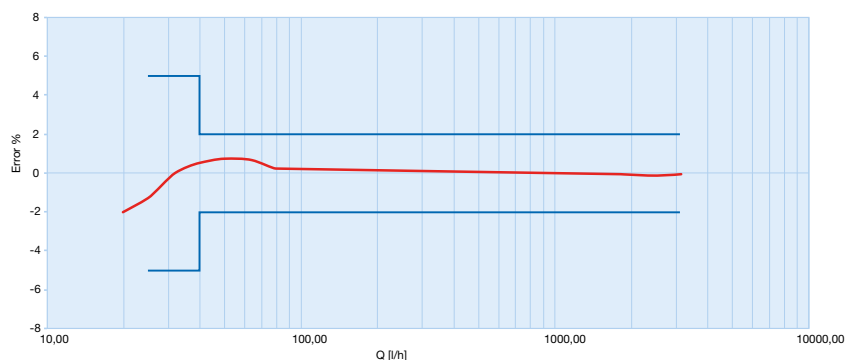


Technical characteristics

Nominal diameter (DN)	mm		15				20	
MID approval	LNE - 33564							
Water Temperature Range	(T)	°C	T30 - T50	T30/90 - T90	T30 - T50	T30/90 - T90	T30 - T50	T30/90 - T90
MID Metrology class (horizontal)	(Q3/Q1)		80	63	125	100	125	100
MID Metrologica Ratio (other positions)*			40*	40*	63	63	63	63
Permanent Flow Rate	(Q3)	m³/h	1.6	1.6	2.5	2.5	4	4
Overload Flow Rate	(Q4)	m³/h	2	2	3.125	3.125	5	5
Minimum Flow Rate	(Q1)	L/h	20	25.40	20	25	32	40
Transitional Flow Rate	(Q2)	L/h	32	40.63	32	40	51.20	64
Starting Flow Rate		L/h	<8				<11	
Max Pressure Loss Class at Q3		bar	0.25	0.25	0.63	0.63	0.63	0.63
Maximum Admissible Pressure	MAP	bar	16					
Indicating Range		m³/h	99999.999					
Minimum Scale Interval		L	0.05					
Mechanical Environment Class			M1 / B**					
Climatic Environment		°C	-25°C.... +70°C					
Flow Sensitivity Class U0/D0			U0/D0					
Pre-equipment for communication			Itron Full Set of Communication Devices					

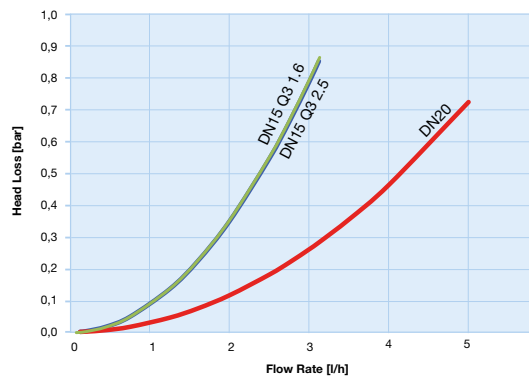
*According to ISO4046:2017 | **B according to EN14154-1:2005+A2:2011

TYPICAL ACCURACY CURVE Q3=2,5 m³/h - R100



Unimag+ PE Cold water version

HEAD LOSS



Unimag+ PE Warm water version

Dimensions

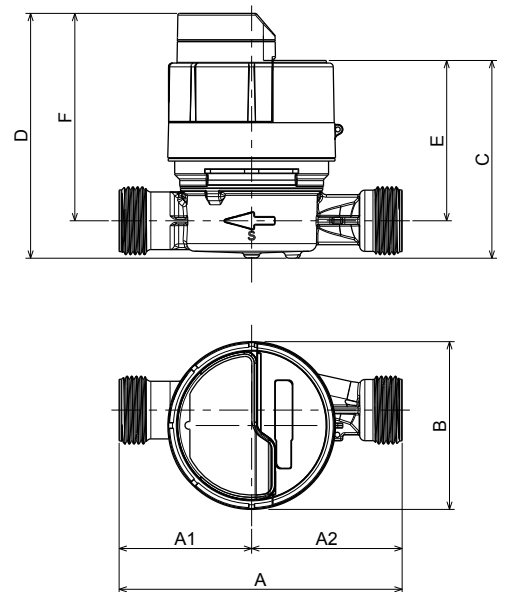
Nominal diameter (DN)	mm	15 Brass									20 Brass	
		Meter Thread	G 3/4"	WTZ-G 3/4"	G 3/4"	G 3/4"-M22	G 3/4"	G 3/4"	G 3/4" - 7/8" - 3/4"	G 3/4"	G1"	G 1"
A	mm	80	83	85	100	105	110	115	130	130	115	130
A1	mm	37	40	42	49	54	59	64	79	74.3	59.3	74.3
A2	mm	43	43	43	51	51	51	51	51	55.7	55.7	55.7
B	mm										65	65
C	mm										77	77
D	mm										95	95
E	mm										62	62
F	mm										80	80

* For other lengths, contact your local Itron representative

Remote Module Features

	Pulse	M-Bus	EquaScan
Power supply		3V Lithium Battery	
Typical battery life*		12 years	
Protection		IP65	
Cable length	1 m (+5 cm / -0 cm)		Wireless
Execution	2 wires - PVC - type LIYY		RF
Cable section	2 x 0.25 mm ² / ext. d = 3.6 mm		-
Operating Temperature	+5°C to +55°C		
Protocol	-	EN 1434-3	EN 13757-3/-4 Wireless M-Bus
Addressing	-	Primary and secondary mode	-
Transmission speed	-	300 to 9600 baud rate	-
Weight of Pulse	1, 10 or 100 liters / pulse	-	-

* Under normal applications within the specified working temperature range.



ACCESSORIES

- » Brass connection set
- » Non-return valve



Join us in creating a more **resourceful world**.
To learn more visit **itron.com**

While Itron strives to make the content of its marketing materials as timely and accurate as possible, Itron makes no claims, promises, or guarantees about the accuracy, completeness, or adequacy of, and expressly disclaims liability for errors and omissions in, such materials. No warranty of any kind, implied, expressed, or statutory, including but not limited to the warranties of non-infringement of third party rights, title, merchantability, and fitness for a particular purpose, is given with respect to the content of these marketing materials. © Copyright 2021 Itron. All rights reserved. **WA-0121.0-EN-06.21**

ITRON WATER METERING

Strada Valcossera, 16
14100 Asti
Italy

Phone: +39 0141 477077
Fax: +39 0141 477177